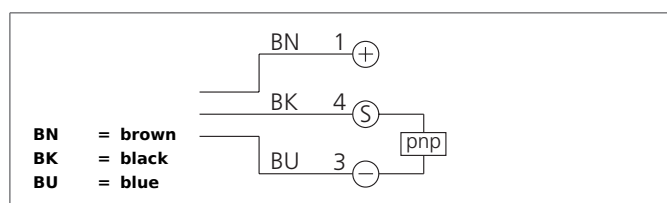


OLK 71 P3-T4

Amplifier for plastic fiber optics

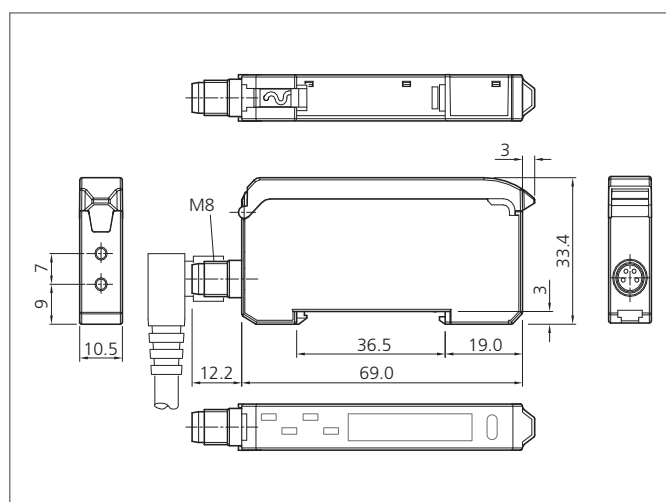
- High operating distance
- Easy operation
- Two digital LED displays for threshold value and actual value
- Teach-in / manual fine adjustment
- Timer function / offset-function
- Light/dark switching switchable



Safety instructions

The Instruments are not to be used for safety applications, in particular applications in which safety of persons depends on proper operation of the instruments.

These instruments shall exclusively be used by qualified personnel.



TECHNICAL INFORMATION (typ.)		+20°C, 24V DC
Amplifier for		Plastic fiber optics 2x2,2 mm
Evaluation		digital
Emitted light		Red, 625 nm
Service voltage		12 ... 24 V DC ± 10%
Internal power consumption		40 mA
Control buttons		4
Sensitivity adjustment		Teach key
Switching output		pnp, 100 mA, NO/NC, programmable
Display		digital LED display
Switching frequency		1,0 / 0,8 / 0,6 / 0,4 / 0,2 kHz
Response time		0,25 / 0,31 / 0,42 / 0,63 / 1,25 ms
Ambient temperature		-10 ... +55 °C
Ambient light immunity		10 kLx
Insulation voltage endurance		1.000 V
Protection class		IP 54
Protection degree		III, operation on protective low voltage
Casing material		ABS / PC
Connection		Connector, M8, 4-poled